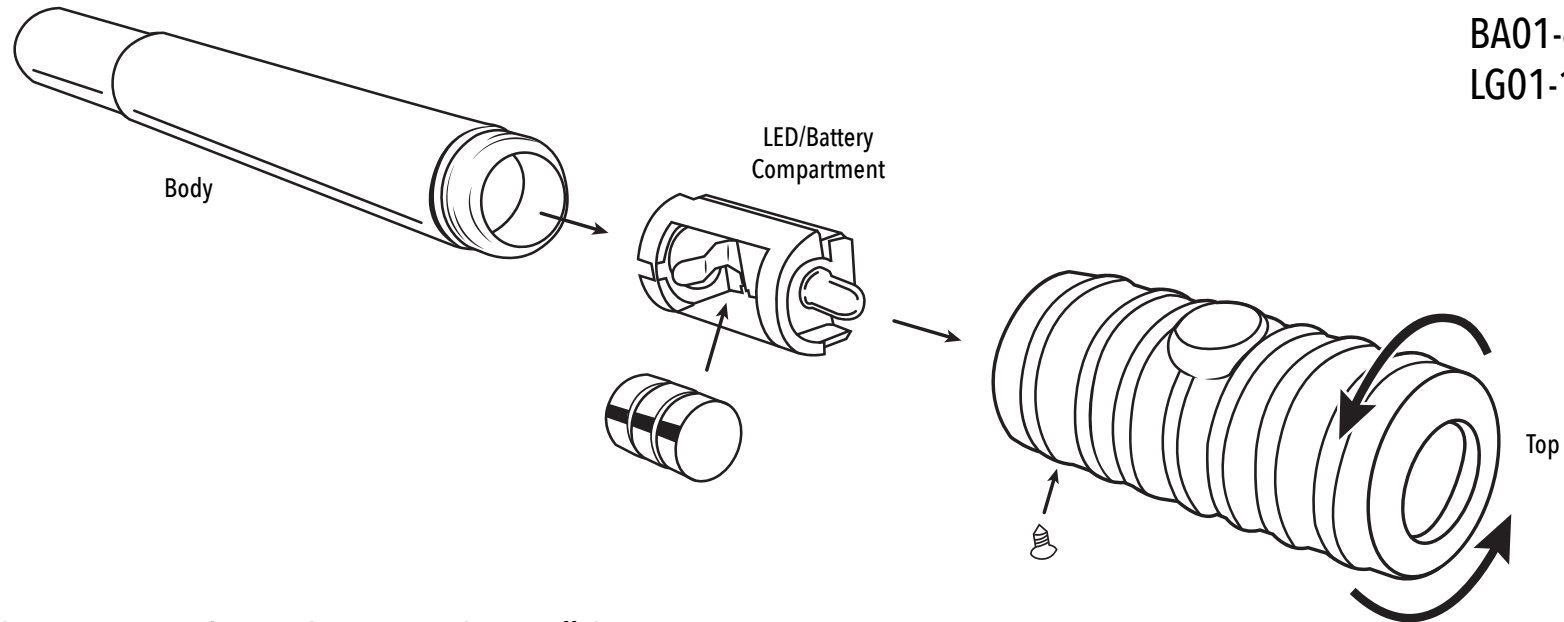




Glow Stick + Flashlight Battery Replacement

Uses Battery Type: 3 x LR44 / AG13

For Model/Part#:
41-3652
LG01-10180-MT4
LG151
BA01-60166-MT3
LG01-10599-HAL



1. If your light has a tiny screw, loosen the screw and twist off the top. Otherwise, twist off the top and separate the top from the body.
2. Remove the LED/battery compartment by placing the top upside down and tapping it so battery pack falls out (you will see three LR44 or AG13 button batteries)
Note: all three batteries must be facing the same way when replaced.
Test the light before reinstalling battery pack. If it does not light up, face the batteries in the other direction.
3. After replacing batteries, install the battery pack with the circuit side lined up with the on/off button. Twist on the top then reinstall tiny screw.